

Wiseled LARUS

Art.no - LAR-2021004993

Wide Range Illumination

With a range beyond 5 kilometers, the Larus searchlight is providing performance beyond expectations for solid-state lighting. The adjustable beam angle from 1 to 15 degrees gives extended situational awareness and fields of use. When the system is running with a narrow beam, you have a close to 7M candela high-intensity to both spotlight, signal and warn people of interest within your chosen perimeter.

The Larus is the perfect searchlight replacement for existing halogen/xenon-systems made to reduce power and service requirements. With an expected lifetime of beyond 10000 hours (L70), it is a perfect searchlight module for remote camera systems and critical infrastructure installations.

The Larus can be integrated as a part of a PTZ system or delivered as a stand-alone system with its control panel. The Larus searchlight is designed for an easy and problem-free 3rd party integration running the RS422 communication interface.

The Larus is made from high-grade corrosion-resistant aluminum with a hard anodized surface to best protect it from wear, tear, and corrosion.

Product features



Low size to weight ratio



Low power consumption



Best in class luminous intensity



Focusable light



Wide range



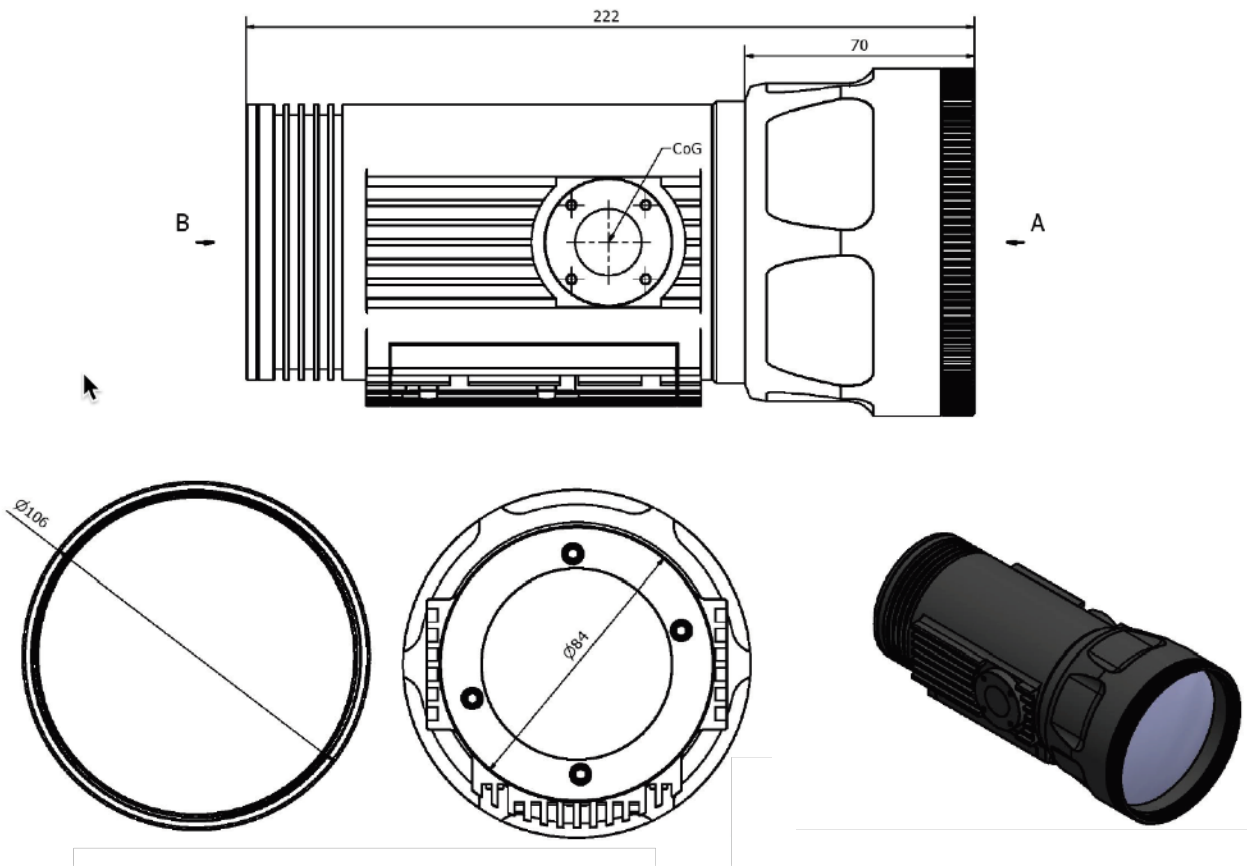
**Danish developed product
and quality control**



Specifications

Larus

Bezel diameter	133 mm	
Length	243 mm	
Weight	1920 gram	
Input range (DC)	12-28 V	
Power consumption	55 W	
Surface treatment	MIL-A8625 Type III Class 2	
Luminous intensity	6.950.000 cd	0,25 Lux / 5285 m
Divergance	1° - 15°	Adjustable
Range	0,25 LUX @ 5274 m	Pr ANSI/PLATO FL1 2016)
Output modes	Constant/strobe	Programmable
Working temperature	From -25°C to 60°C	MILSTD-810G
Interface	RS232/RS422	
Water resistance	IP67	
Color temperature	5800 Kelvin	



*Dimensions are estimates and may change.

About Wiseled

Since the founding of Wiseled in 2003, the company has evolved into an internationally recognised provider of LED and laser illuminators. This has been achieved by means of continuous research and development, engineering and manufacturing excellence, and a steadily growing range of products for the military, maritime and security markets.

Our products are designed for various applications, including integration with optic and sensor modules to enable operations in extreme environmental conditions. Our solutions enhance operator's ability to observe, detect and engage targets with increased accuracy and reduced collateral damage.

Wiseled ApS, Nellebakken 5, 3250, Gilleleje, Denmark
 E-mail: contact@wiseled.com

www.wiseled.com



Designed and manufactured in Denmark

